

Third Wheel Kit

Car Lift Accessories

SKU# 5210247

Third-Wheel Kit / Includes Wheel Trough and Aluminum Ramp

Questions? Contact BendPak's Sales Team

sales@bendpak.com | 1-800-253-2363

Monday - Friday, 7AM to 4:30PM PST

Being the third wheel is no longer awkward!

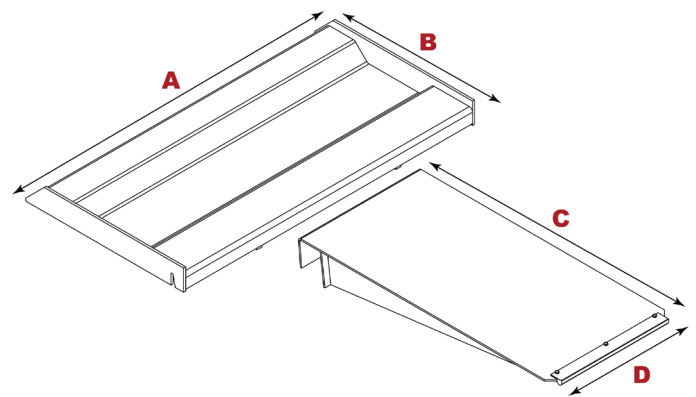
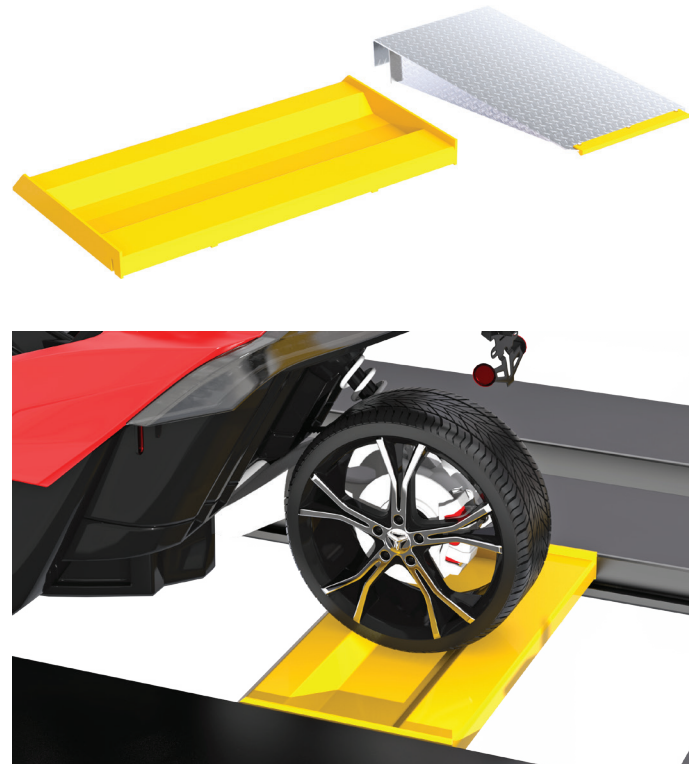
If you own a four-post lift for storage and vehicle maintenance, chances are that you have either tried or thought about using the four-post lift for lifting and storing three-wheeled motorcycles like the Polaris Slingshot® or ATV's—maybe even your boat. Because four post lifts were designed for tandem wheel axles, they are void of any supporting structure positioned midway between the runways—exactly where a Polaris Slingshot® wheel would dwell or the tongue or jockey wheel on your boat trailer.

By bridging the runways with a purposefully built wheel trough and sturdily made support beam, BendPak's Third Wheel Kit allows you to safely and securely support your Polaris Slingshot® or other 3-wheeled vehicles. The heavy-duty welded-steel wheel trough rests securely on the runway utility channels making installation fast and easy. Rugged support clips help keep the trough securely in place. Although this four-post lift accessory was originally made for Polaris Slingshot® owners, any three-wheeled motor vehicle or motorized trike can take advantage of the Third Wheel Kit's versatility.

Included in the kit is a lightweight approach ramp made out of aluminum tread-plate that is easy to install and remove for storage. It attaches directly onto the four-post lift cross tube allowing the steering wheel of your Polaris Slingshot® to roll effortlessly up the ramp and settle comfortably into the recess of the spacious wheel trough. The low angle of the ramp makes it easy to accommodate low ground clearance motorcycles or other three-wheel vehicles. **Fits BendPak models: HD-7PXW, HD-9XW/XL/SWX, HD-9AE, or HD-973P/PX four-post lift models with the runways configured in the wide setting.**

Features

- Fits BendPak lift models: HD-7PXW, HD-9XW/XL/SWX, HD-9AE, or HD-973P/PX in WIDE runway setting only
- Heavy-duty welded-steel construction
- Durable powder-coat finish
- Wheel trough is 2.25" deep to safely cradle wheels of varied diameters
- Light-weight aluminum approach ramp with underside supports feature high-density polyurethane guard to prevent scratching of floor surfaces



Specifications

A - Overall Width	43.5" (1,106 mm)
B - Overall Length	23.75" (600 mm)
C - Approach Ramp Length	37.75" (959 mm)
D - Approach Ramp Width	18" (457 mm)
Wheel Trough Depth	2.25" (56 mm)